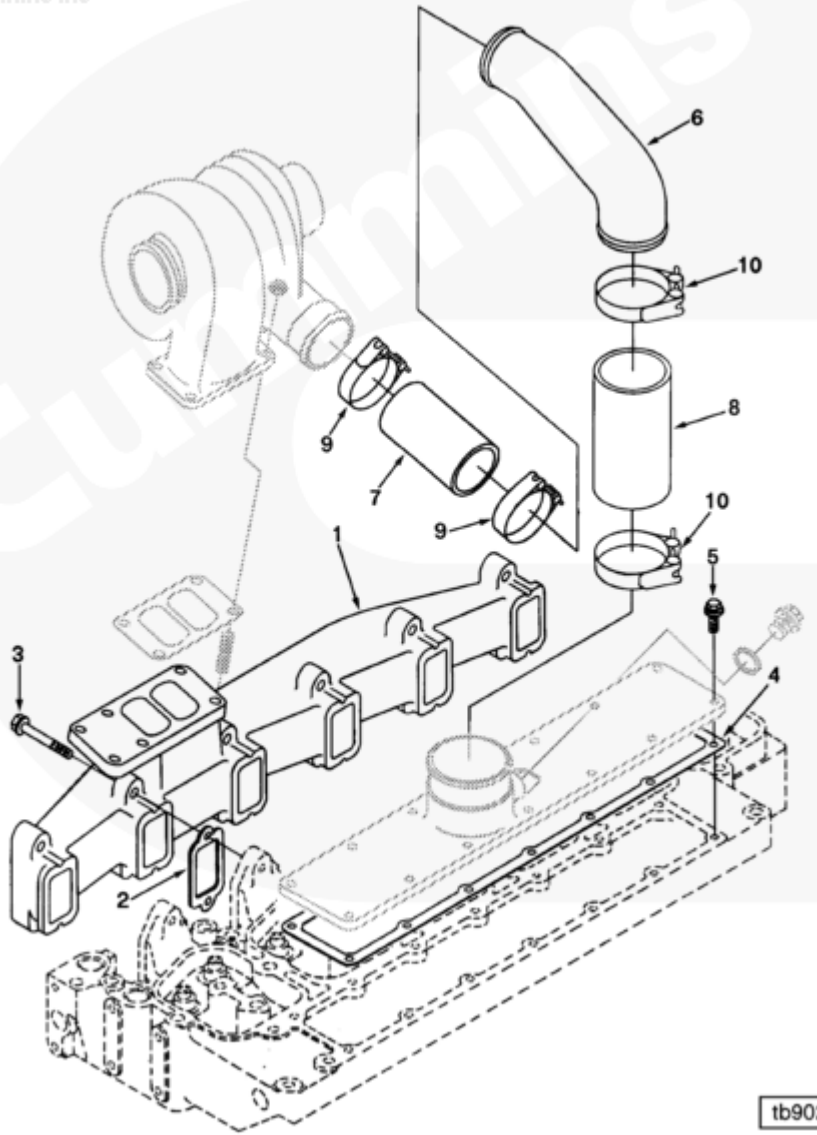




Parts Catalog - Option Detail

Electronic Parts Catalog - Option Detail				
Option	Group	Graphic	Film Card	Date
TB9022	10.06.1	tb902gp	T	31-MAY-95
Engines	4B3.9, 6A3.4, 6B5.9, B GAS INTERNATIONAL CM556, B4.5, B4.5 CM2350 B129B, B4.5 CM2350 B146C, B4.5 CM2350 B147B, B4.5 RGT, B4.5S, B5.9 G, B5.9 GAS PLUS CM556, B5.9 LPG, B5.9 LPG PLUS CM556, B6.7 CM2350 B121B, B6.7 CM2350 B135B, B6.7 CM2350 B136C, B6.7 CM2350 B148B, B6.7 G CMOH6.0 B125, B6.7N CM2380 B150B, B6.7S, F3.8 CM2350 F120B, F3.8 CM2350 F128C, F3.8 CM2350 F132B, F3.8 F102, G3.9, G5.9, G5.9 CM558, ISB (CHRYSLER), ISB CM2150, ISB CM2150 E, ISB CM550, ISB CM850, ISB/ISD4.5 CM2150 B119, ISB/ISD4.5 CM2150 SN, ISB/ISD6.7 CM2150 B120, ISB/ISD6.7 CM2150 SN, ISB/ISD6.7 CM2880 B126, ISB3.9 CM2220 B107, ISB4.5 CM2150, ISB5.9G CM2180, ISB6.7 2010 DCX PICKUP, ISB6.7 2013 DCX CHASSIS CAB, ISB6.7 CM2150 SQ, ISB6.7 CM2250, ISB6.7 CM2350 B101, ISB6.7 CM2350 B103, ISB6.7 CM2350 B142, ISB6.7 CM2670 B153B, ISB6.7 G CM2180 B118, ISBE CM2150, ISBE CM800, ISBE2/ISBE3 CM850, ISBE4 CM850, ISD4.5 CM2150, ISD6.7 CM2880 D101, ISF2.8 CM2220, ISF2.8 CM2220 AN, ISF2.8 CM2220 EC, ISF2.8 CM2220 ECF2, ISF2.8 CM2220 F101, ISF2.8 CM2220 F117, ISF2.8 CM2220 F122, ISF2.8 CM2220 F126, ISF2.8 CM2220 F129, ISF2.8 CM2220 IAN, ISF3.8 CM2220, ISF3.8 CM2220 AN, ISF3.8 CM2220 F103, ISF3.8 CM2220 F110, ISF3.8 CM2220 F116, ISF3.8 CM2220 F134B, ISF3.8 CM2220 IAN, ISF3.8 CM2350 F109, ISF4.5 CM2220 F123, ISG11 CM2880 G106, ISG11 CM2880 G108, ISG12 CM2880 G107, ISG12 CM2880 G109, ISG12 G CMOH6.0 G111, QSB3.9 30 CM550, QSB3.9 CM2880 B138, QSB4.5 30 CM550, QSB4.5 CM2150 B108, QSB4.5 CM2250 B131, QSB4.5 CM2250 EC, QSB4.5 CM2350 B106, QSB4.5 CM2350 B122			



tb902gp

SMALL | MEDIUM | LARGE

Cart	Ref No	Part Number	Part Description	Required	Remarks
View My Cart					
		TB9022	Turbocharger Arrangement		Turbocharger Location...(More)
					Engine Family: B Series
					Cylinders: 6
					Exhaust Outlet Location: HMFO
					Turbo Exh Loc From FFOB (MM):
					482
					Exh Vert From Crank C/L (MM):
					572
					Exh Horz. Crank C/L (MM): 168

					Aspiration: Turbocharged
					Crossover Routing: Top
					Standard
					Oil Supply Routing: Outboard
					Exh. Manifold Type: Dry
					Intake Cover Provided: Yes
					Turbine Outlet Flange Type:
					Half Marmon
					Turbocharger Type: Non-
					Wastegate
					Structure Code: 02 EBM
					Cylinder Head Type: Standard
					Compressor Outlet Fixed
					Location (Deg) 0
					Base Turbo ID 17 Number:
					3528741
					3528763
					3528773
					3533518
					3535381
					The 3279245 and 3279246 hoses
					may be used to replace the
					3916165 and 3916166 hoses.
	1	3901683	Exhaust Manifold	1	
	2	3905443	Exhaust Manifold Gasket	6	
	3	3901448	Hexagon Flange Head Cap Screw	12	M10 X 1.50 X 65
	4	3914029	Intake Manifold Cover Gasket	1	TCL use Only
<input type="checkbox"/>	5	3918109	Hexagon Flange Head Cap Screw	12	M8 x 1.25 x 25
<input type="checkbox"/>	6	3906973	Air Inlet Pipe	1	
<input type="checkbox"/>	7	3916166	Plain Hose	1	

<input type="checkbox"/>	8	3916165	Plain Hose	1	
<input type="checkbox"/>	9	3033033	Hose Clamp	2	2 - 2 1/2 in
<input type="checkbox"/>	10	3026396	Hose Clamp	2	2 1/16 - 3 in.

© 2019 Cummins Inc., Box 3005, Columbus, IN 47202-3005 U.S.A.
Terms of Use and Disclaimers | Recommended System Requirements
Need Assistance? Please click on the Contact Us button in the top right corner of any page.